



LAMSON SAFES AND SECURITY

TH3-D Safe

The LSS TH3-D is the ultimate business safe, offering full protection in and outside of business hours. This safe offers multi compartment safes with the added benefit of being TDR rated.



- ◆ **Multi Compartment Safe**
Deposit Drawer, Change Drawer, Inner safe
- ◆ **Deposit Drawer**
Money drops directly into the inner time delay compartment, featuring 8 level safe lock and re-locker.
- ◆ **T.D.R.**
Quality Body, External Door & Drawers (Torch & Drill Resistant)
- ◆ **Inner Time delay compartment**
3,6 or 9 minute time delay lock and variable 1 – 24hr twin timer Time lock or 144hr time lock

Deposit Drawer - Fast Deposit

Change Drawer - General Access

Inner Time Delay Compartment



LAMSON SAFES AND SECURITY

Division of the LAMSON Group





FUNCTIONALITY

This Safe is constructed using advanced technology and the latest TDR materials to ensure its effective against the modern criminal. The barriers created are resistant to attack by oxy-acetylene, high speed drills, explosives and physical force.

PURPOSE OF THE MACHINE

Prevention of

- ✓ **Having Multiple Safes**
- ✓ **Armed Robbery**
- ✓ **Internal Theft**

BENEFITS

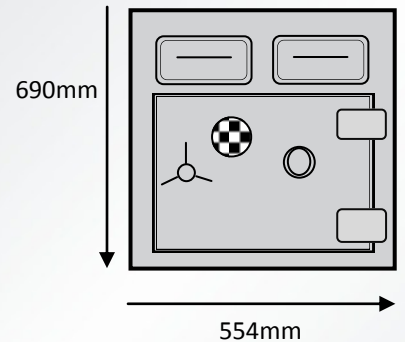
- ◆ Combination of trading cash deposit safe and after hour security for cash and valuables
- ◆ External, lockable deposit safe coupled with internal time delay compartments for double security
- ◆ Simple to use key lock, plus combination lock
- ◆ Added security for management
- ◆ Combination lock (1,000,000 possible combinations)

APPLICATION

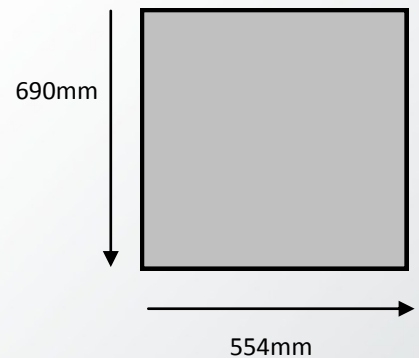
This is one of the most versatile safes in the range. This safe can provide excellent protection for a wide range of applications. Predominantly designed for the retail sector where cash is stored it has also been used in Hospitality, Fast Food outlets and Banks. This safe offers multiple solutions for multiple applications.



FRONT



SIDE



| SIZE | TH3-D |
|--------|-------|
| WIDTH | 554mm |
| DEPTH | 554mm |
| HEIGHT | 690mm |
| WEIGHT | 450Kg |

